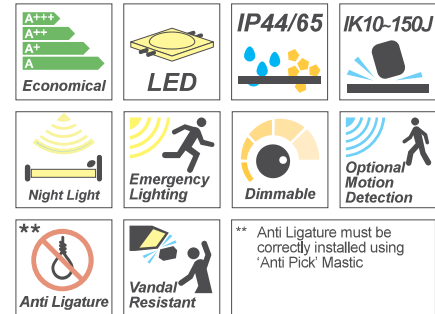




REFLEX 520

Reflex 520



- Anti Ligature Must be correctly installed using 'Anti Pick' Mastic
- Aluminium or Steel Body
- Standard Body or Slim Depth Versions
- Frosted or Clear Prismatic Polycarbonate Diffuser
Can be removed without disturbing 'Anti Pick' Mastic
- Removable LED Gear Tray
- Optional Night Light

LED Technical Information

Please refer to website for current LED technical specification

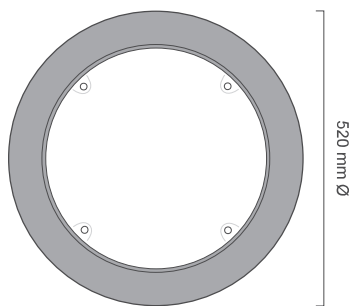
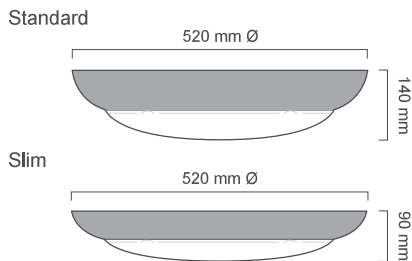
Order Code	Lumen	mA	lm/W	W	Colour Temp	Ra	Weight
	Lm	forward current	Lumen efficacy	Circuit Wattage	Kelvin (K)	CRI	Kg
RFXL2.5LED	2550lm	700	105	24.2	3000K/4000K	>80	6.5
RFXL3.0LED	3000lm	500	110	27.2	3000K/4000K	>80	6.5
RFXL4.0LED	4000lm	800	106	37.7	3000K/4000K	>80	6.5
RFXL5.0LED	5000lm	1035	105	47.6	3000K/4000K	>80	6.5

LED Life-time 50,000Hr L80/B10 (@ 25°C - 40°C)

***RGB Colour Change LED & **Tuneable White LED options**

Ordering Options

Description	Suffix Ordering Code
Slim Body Version	/SLIM
Aluminium (Exterior) Body Version	/ALUM
Heavy Gauge Steel Body Version	/STEEL
Exterior Fully Weatherproof IP65 Version	/EXT
Dimmable Options (DALI/1-10v/Sw-240v/Corridor)	/DALI / 1-10v / SW-240v / CORR
Integral 3hr Emergency or 3hr Self Test	/EM3 or /EM3-SELF
Microwave Motion Detection	/M-Wave
Night Light	/NL
*RGB Colour Change LED	/RGB-LED
**Tuneable White LED	/TUNE
Frosted Diffuser	/DF
Clear Stippled Diffuser	/DP
Security Driver/Key	/SD
LED Compact Lamp Gear Tray (240v Mains)	/GT-LEDPL



Standard Fixing Detail

1qty x 20mm Ø Back Body Centre Cable Entry Hole
Optional Back Body Fixing Holes (on request)

Healthcare, Decorative & Anti-ligature