

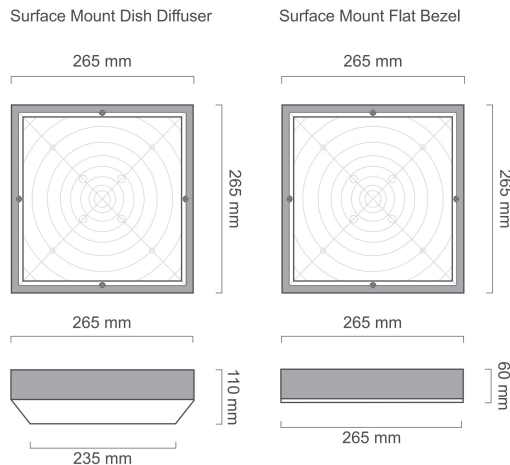


Amenity Lighting

PLATOON RANGE



- Fabricated Pre Treated Galvanised Steel Body
- Surface & Recess Mount Versions
- Sloping Top Surface Version
- Two Diffuser Options:-
 - Moulded Dish Polycarbonate
 - Flat Bezel Polycarbonate Panel
- Removable LED Gear Tray
- Stainless Steel Security Screw



Recess Cut Out Dimensions	Recess Flange Dimensions
275mm x 275mm	315mm x 315mm

Standard Fixing Detail

4qty x 6mm Ø Back Body Corner Mounting Holes
1qty x 20mm Ø Back Body Centre Cable Entry Hole
Various Conduit Side Entry On Request

LED Technical Information

Please refer to website for current LED technical specification

Order Code	Lumen	mA	lm/W	W	Colour Temp	Ra	Weight
	Lm	forward current	Lumen efficacy	Circuit Wattage	Kelvin (K)	CRI	Kg
PLA1.2LED	1250lm	350	117	10.6	3000K/4000K	>80	4.0
PLA1.7LED	1750lm	500	114	15.3	3000K/4000K	>80	4.0
PLA2.1LED	2100lm	350	112	18.7	3000K/4000K	>80	4.0
PLA2.5LED	2550lm	500	105	24.2	3000K/4000K	>80	4.0
PLA3.0LED	3000lm	500	110	27.2	3000K/4000K	>80	4.0

LED Life-time 50,000Hr L80/B10 (@ 25°C - 40°C)

Ordering Options

Description	Suffix Ordering Code
Surface Mounted Body Version	/SM
Recess Mounted Body Version	/RM
Sloping Top Surface Body Version	/SKI
Exterior Fully Weatherproof Version	/EXT
Dimmable Options (DALI/1-10v/Sw-240v/Corridor)	/DALI / 1-10v / SW-240v / CORR
Integral 3hr Emergency or 3hr Self Test	/EM3 or /EM3-SELF
Microwave Motion Detection	/M-Wave
Night Light	/NL
Integral Dusk/Dawn Photocell	/PC
Dish Frosted Diffuser	/DF
Dish Clear Stippled Diffuser	/DP
Flat Frosted Panel Bezel	/FL-F
Flat Clear Stippled Panel Bezel	/FL-P
Security Driver/Key	/SD
LED Compact Lamp Gear Tray (240v Mains)	/GT-LEDPL