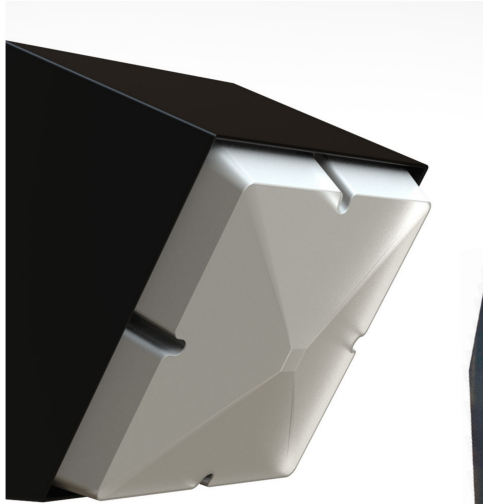




PLATOON ANGLE

Surface Mount



Angled Corner Mount Version



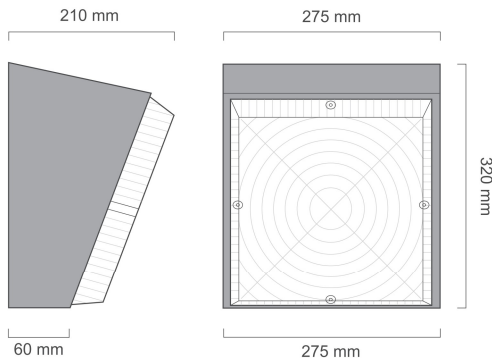
- Fabricated Pre Treated Galvanised Steel Body
- Two Diffuser Options:-
 - Moulded Dish Polycarbonate
 - Flat Bezel Polycarbonate Panel
- Flat Regressed Bezel Option
- Removable LED Gear Tray
- Stainless Steel Security Screw

LED Technical Information

Please refer to website for current LED technical specification

Order Code	Lumen	mA	lm/W	W	Colour Temp	Ra	Weight
	Lm	forward current	Lumen efficacy	Circuit Wattage	Kelvin (K)	CRI	Kg
PLAA2.5LED	2550lm	700	105	24.2	3000K/4000K	>80	4.5
PLAA3.0LED	3000lm	500	110	27.2	3000K/4000K	>80	4.5
PLAA4.0LED	4000lm	800	106	37.7	3000K/4000K	>80	4.8
PLAA5.0LED	5000lm	1035	105	47.6	3000K/4000K	>80	4.8

LED Life-time 50,000Hr L80/B10 (@ 25°C - 40°C)



Standard Fixing Detail

- 4qty x 6mm Ø Back Body Corner Mounting Holes
- 1qty x 20mm Ø Back Body Centre Cable Entry Hole
- Various Conduit Side Entry On Request

Ordering Options

Description	Suffix Ordering Code
Angled Corner Mount Version	/CORN
Exterior Fully Weatherproof Version	/EXT
Dimmable Options (DALI/1-10v/Sw-240v/Corridor)	/DALI / 1-10v / SW-240v / CORR
Integral 3hr Emergency or 3hr Self Test	/EM3 or /EM3-SELF
Microwave Motion Detection	/M-Wave
Integral Dusk/Dawn Photocell	/PC
Dish Frosted Diffuser	/DF
Dish Clear Stippled Diffuser	/DP
Flat Frosted Panel Bezel	/FL-F
Flat Clear Stippled Panel Bezel	/FL-P
Security Driver/Key	/SD
LED Compact Lamp Gear Tray (240v Mains)	/GT-LEDPL

